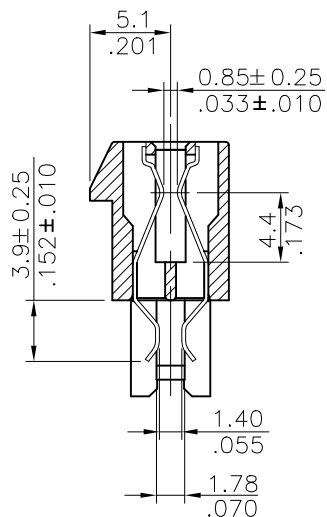
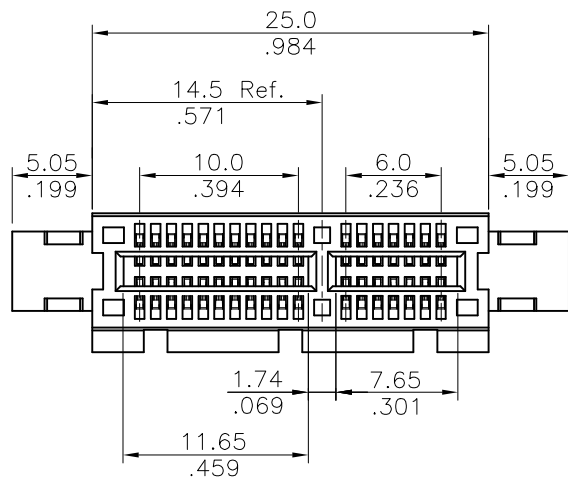


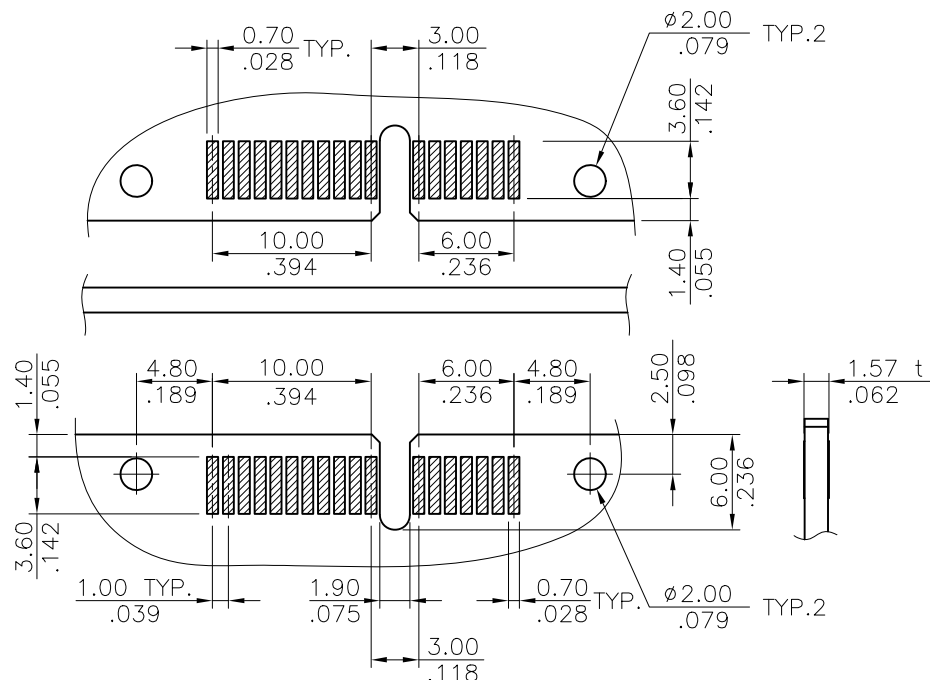
Materials:

*. Insulator: LCP+30% G.F., UL94 V-0

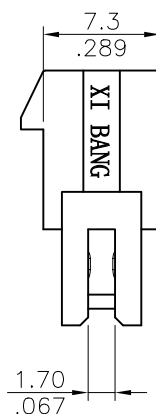
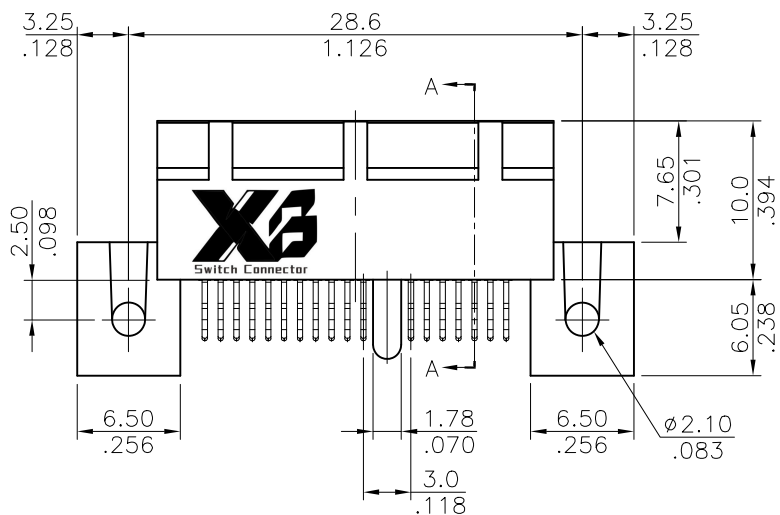
*. Contact: Copper Alloy



SEC. A-A



RECOMMENDED PCB LAYOUT
TOLERANCE: ±0.05



Ordering Code:

CS74 036 A 1 C 0
① ② ③ ④ ⑤ ⑥

- ① Series No.
- ② No. of Circuits:
- ③ Plating option:
A= Selective Gold flash plated over Nickel
- ④ Color: 1= Black
- ⑤ Tail style: C= PCB Clip Type
- ⑥ Option: 0= Standard

Lead Free Process

RoHS Compliant

④					DATE	UNIT: mm / inch	TITLE:
③				DRAWN BY: Sun	12/06-16'	TOLERANCE UNLESS OTHERWISE SPECIFIED	PCIe 36P PCB Clip Type
②				ENGINEER: Sun	12/06-16'	.X ± 0.38/.015 X' ± r	MATERIAL:
①				CHECKED BY: Eisley	12/08-16'	.XX ± 0.25/.010 .X ±	FINISH:
SYM	NAME	DATE	REVISIONS	APPROVED BY: Eisley	12/08-16'	.XXX ± 0.10/.004 .XX ±	

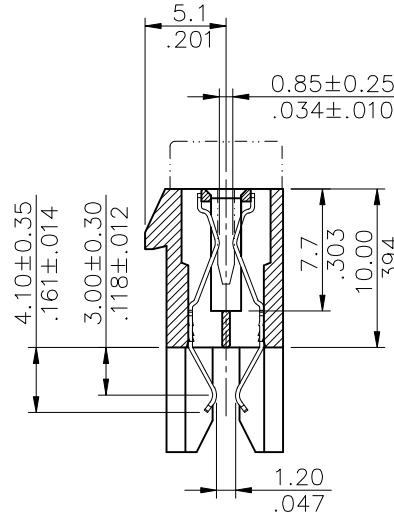
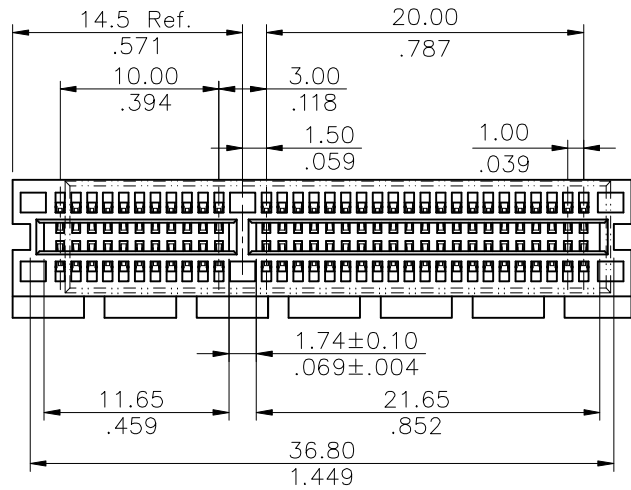
东莞市溪榜电子有限公司
DONG GUAN XI BANG ELECTRONI CS CO., LTD.

DRAWING NO. **CS7406SA** PART NO. **CS74036A1C0**

SCALE 2 / 1 SHEET 1 OF 1

Materials:

- * Insulator: LCP+30%G.F., UL 94V-0, Color Black
- * Cover: LCP+30%G.F., UL 94V-0, Color Black
- * Terminal: Phosphor Bronze, T=0.25mm;
- * Plating: 0.02μm(0.8μ") Gold Flash plated on contact area;
2.03μm(80μ") Min. Tin in solder area;
0.76μm(30μ") Min. Nickel underplating over all.

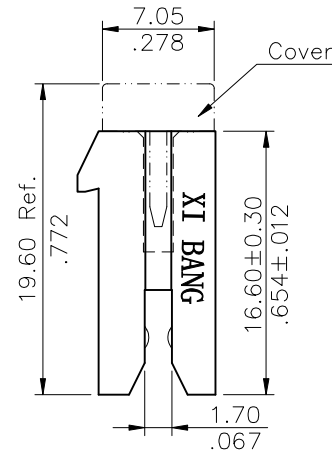
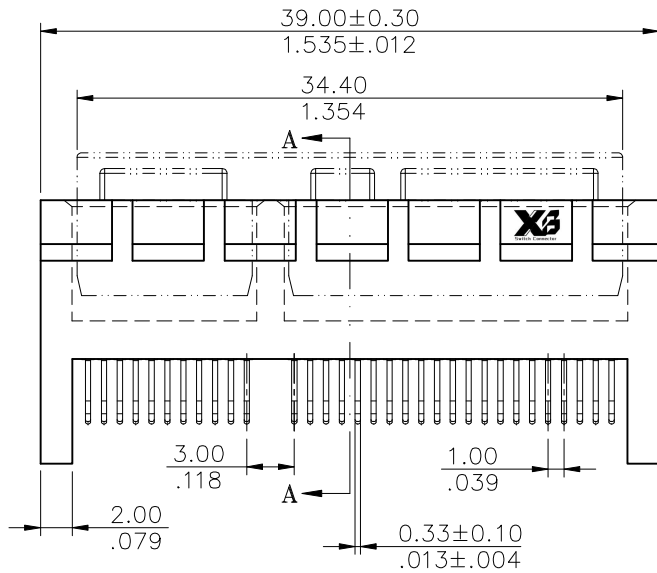


SEC.: A-A

Ordering Code:

CS74 064 A 1 C 1
① ② ③ ④ ⑤ ⑥

- 1 Series No.
- 2 No. of Circuits:
- 3 Plating option:
A= Selective Gold flash plated over Nickel
- 4 Color: 1= Black
- 5 Tail style: C= PCB Clip Type
- 6 Option:
1= With Baffle & Solder tail Contact position 3.0mm



Lead Free Process

RoHS Compliant

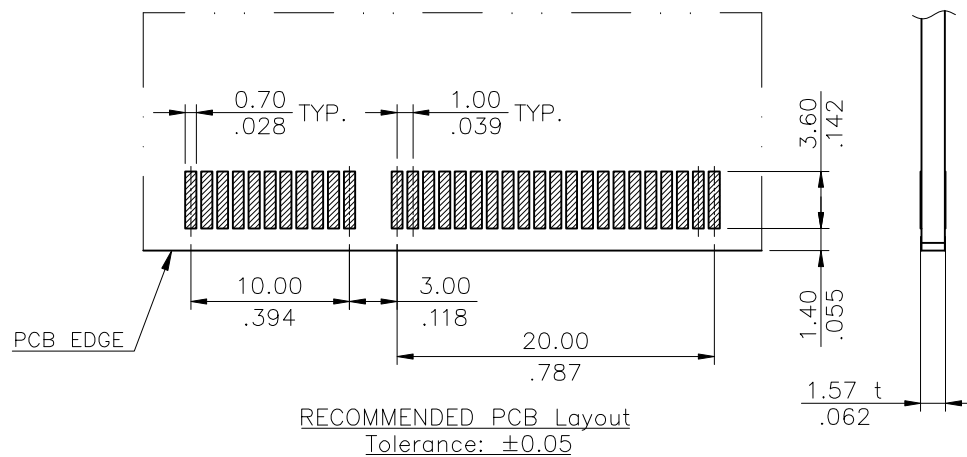
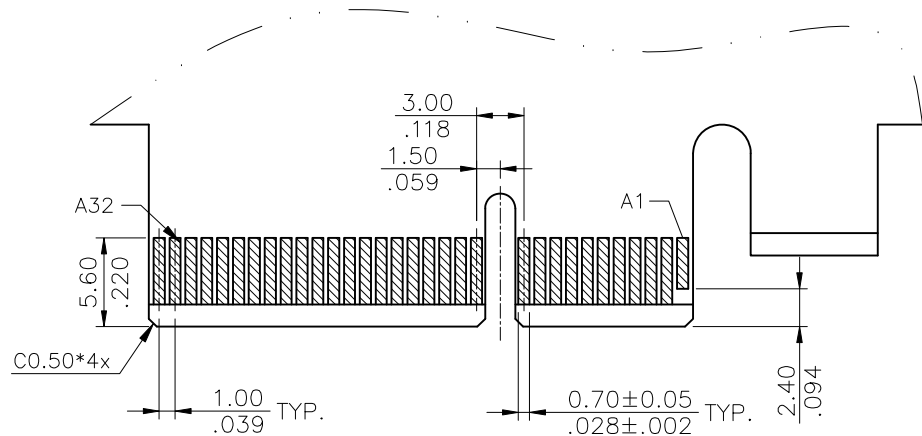
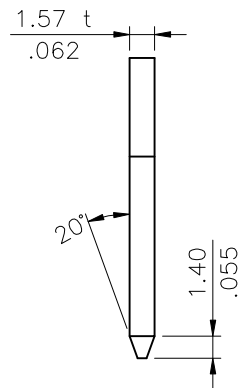
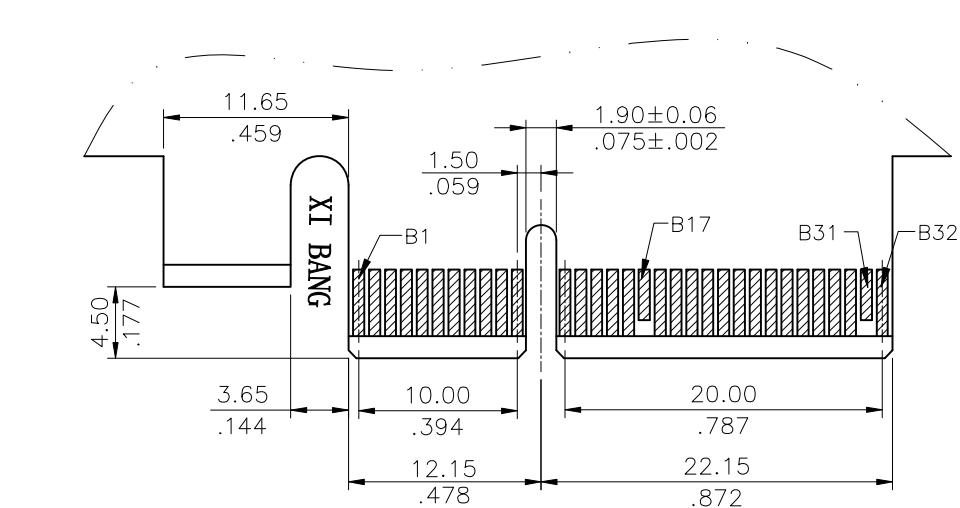
④					DATE	UNIT: mm / inch	TITLE:
③				DRAWN BY: Sun	9/08-20'	TOLERANCE	PCIe 64P PCB Clip Type
②				ENGINEER: Sun	9/08-20'	UNLESS OTHERWISE SPECIFIED	MATERIAL:
①				CHECKED BY: Easley	9/11-20'	.X ± 0.38/.015 X' ± 1'	FINISH:
SYM	NAME	DATE	REVISIONS	APPROVED BY: Easley	9/11-20'	.XX ± 0.25/.010 X' ±	
						.XXX ± 0.10/.004 XX' ±	

东莞市溪榜电子有限公司
DONG GUAN XI BANG ELECTRONICS CO., LTD.

Switch Connector

DRAWING NO. CS7412SA PART NO. CS74064A1C1

SCALE 2 / 1 SHEET 1 OF 1



RECOMMENDED EDGE CARD
PATTERN(SECONDARY SIDE)

Lead Free Process RoHS Compliant

4					DATE	UNIT: mm / inch	TITLE:	东莞市溪榜电子有限公司 DONG GUAN XI BANG ELECTRONICS CO., LTD.		
3				DRAWN BY: Sun	9/02-20'	TOLERANCE UNLESS OTHERWISE SPECIFIED	PCle 64P PCB Clip Type			
2				ENGINEER: Sun	9/02-20'	.X ± 0.38/.015 X' ± 1'	MATERIAL:			
1				CHECKED BY: Easley	9/07-20'	.XX ± 0.25/.010 X' ±	FINISH:			
SYM	NAME	DATE	REVISIONS	APPROVED BY: Easley	9/07-20'	.XXX ± 0.10/.004 XX' ±		DRAWING NO. CS7412S1	PART NO. CS74064A1C1	
								SCALE	2 / 1	SHEET 1 OF 1